

Thank you for purchasing this light fitting. Please read the instructions carefully before use to ensure safe and satisfactory operation of this product. Please retain these instructions for future reference.

Warning:

III This unit is **Safety Extra Low Voltage**.

This product is IP65 rated and must only be used with all seals fitted.

Please read these instructions carefully before commencing any work.

Install in accordance with IEE Wiring regulations and current Building Regulations.

This system operates at Safety Extra Low Voltage (12V), via a transformer (not included). Never connect the light fittings directly to the mains without using a transformer.

Always unplug the transformer from the mains when installing or maintaining this system.

Only use the correct type and wattage bulb. Never exceed the wattage stated as this could overheat the ballast.

When changing a bulb, always switch off at the mains and allow the old bulb to cool down before handling.

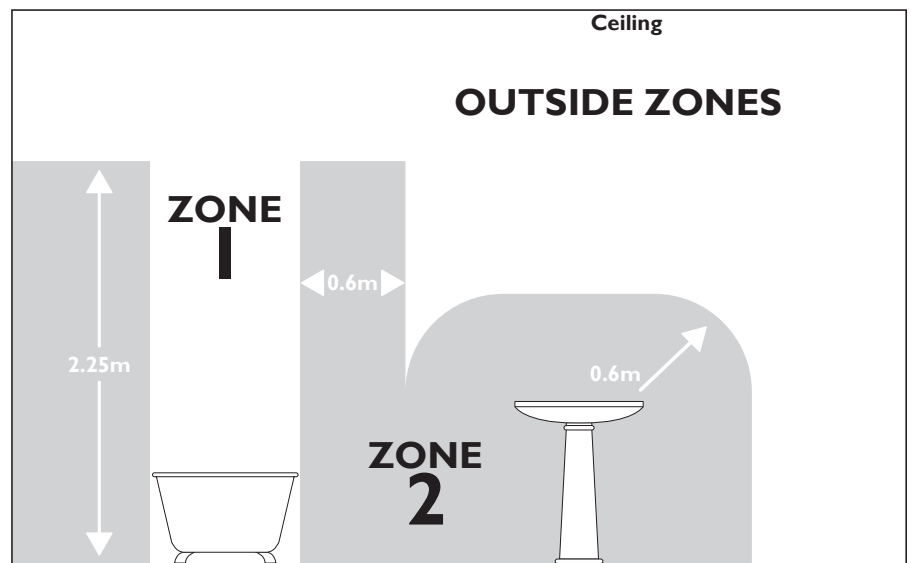
Dispose of used bulbs carefully and responsibly.

This product can be dimmed using a suitable transformer. Refer to the transformer instructions for further details.

Location:

This product has special protection against the ingress of moisture and is IP65 rated.

This product is suitable for use in Zone 1, Zone 2 and outside Zones of a bathroom. See diagram.



Layout:

- Plan the desired layout of these fittings carefully, ensuring the cables will reach the distances between the transformer and each light fitting.
- Ensure that there is adequate ventilation for the transformer.
- Cables that are to be in walls must be protected using suitable conduit or plastic trunking.

Installation:

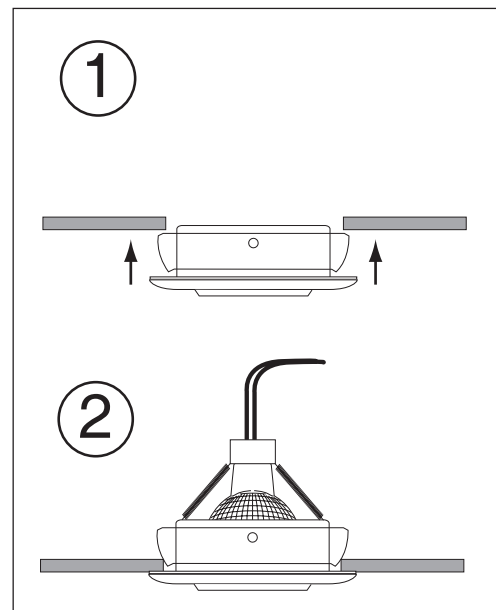
1. Position the transformer next to the mains outlet that the system will connect to. Do not connect at this stage.
2. Decide the layout of the light fitting(s) and ensure that the cables are long enough. The minimum distance between units must be 0.3m
3. Cut a 66mm diameter hole using an appropriate tool. Ensure that the void depth is a minimum of 95mm. All measurements are based on a ceiling with a 12mm thickness. If your ceiling thickness is less than 12mm, deduct approximately 5mm from the ceiling diameter shown above. If the ceiling is thicker than 12mm, gradually increase the hole until a snug fit is achieved. It is recommended cutting the hole slightly smaller than needed, then file the hole until the recessed unit fits snugly.
4. Ensure free movement of air by removing void insulation from an area at least 100mm from around the product.

Wiring:

5. Draw the cable through the hole in the ceiling. Use minimum 1.0mm² cross sectional area cable.
6. Connect the wires to the terminal block observing the polarity.
7. Fit bulb by locating pins in holes and pushing home.
8. Replace the circuit fuse and switch on the mains to test.

Fitting:

9. The ceiling surface must be flat and smooth to ensure a good moisture proof seal.
10. Fit the unit by squeezing the spring clips together, and push into the hole. See diagram 1.
11. Push the unit up until it has clipped into position, you may need to rotate slightly whilst fitting it in the hole. See diagram 2.



Fitting / Replacing Bulbs:

When changing a bulb, always switch off at the mains and allow the bulb to cool before handling. Dispose of used bulbs carefully. Use a soft cloth to handle bulbs, avoid directly touching the bulbs as this will shorten their life. Do not exceed the wattage stated or use a different shape bulb from that indicated on the fitting.

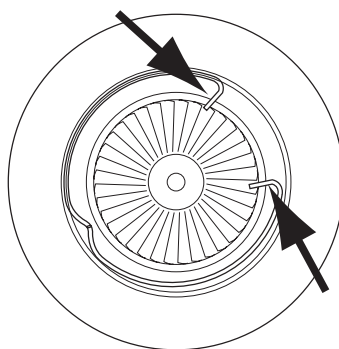
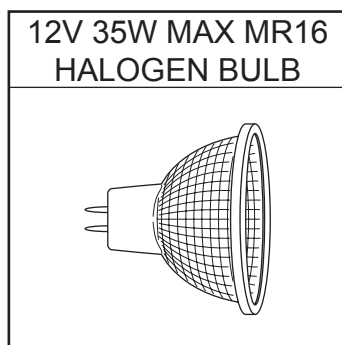
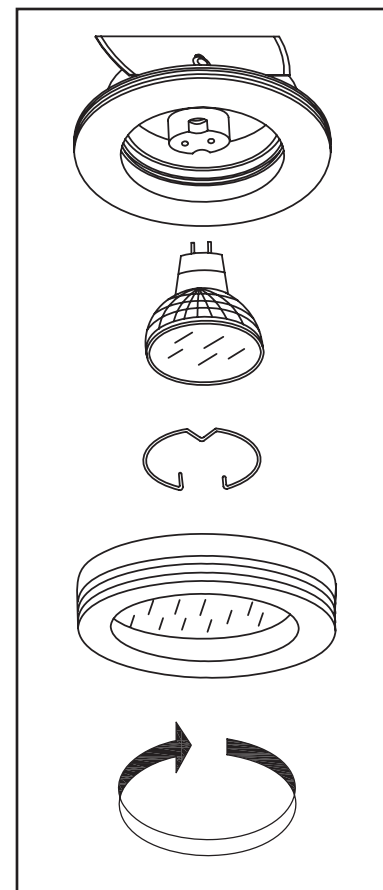
Unscrew the front bezel and set aside.

Remove circlip by squeezing tabs together, to release the bulb. Pull the bulb out of the lampholder.

To replace the bulb, locate the two pins on the lamp in the holes, and push home. Push the bulb back up into the fitting.

Refit the circlip into place by squeezing the tabs together and clipping into place.

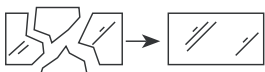
Rescrew the bezel on, taking care not to cross the threads.



Care and Cleaning:

Finish - Clean with a soft dry cloth. Do not use abrasive materials as these will damage the finish.

Safety Information:



The glass shade must be replaced immediately should the glass shade become cracked or damaged. This fitting must not be used without the glass shade in place.

For your safety, always switch off the supply before changing lightbulbs, cleaning or removing shades.



Saxby Lighting Ltd. Belvue House, Belvue Road, Northolt, Middlesex UB5 5QQ