

Thank you for purchasing this light fitting. Please read the instructions carefully before use to ensure safe and satisfactory operation of this product. Please retain these instructions for future reference.

Warning:

III This unit is **Safety Extra Low Voltage** and must not be earthed.

Please read these instructions carefully before commencing any work.

Install in accordance with IEE Wiring regulations and current Building Regulations.

This system operates at Safety Extra Low Voltage (12V), via a transformer. Never connect the light fittings directly to the mains without using a transformer.

Always unplug the transformer from the mains when installing or maintaining this system.

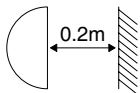
Only use the correct type and wattage bulb.

When changing a bulb, always switch off at the mains and allow the old bulb to cool down before handling.

Dispose of used bulbs carefully and responsibly.

This product can be dimmed using a compatible dimmer and transformer.

Siting:



SPOTLIGHTS GIVE A CONCENTRATED BEAM OF LIGHT AND MUST NOT BE POSITIONED ANY CLOSER THAN 0.2M (20CM) TO THE ILLUMINATED SURFACE.



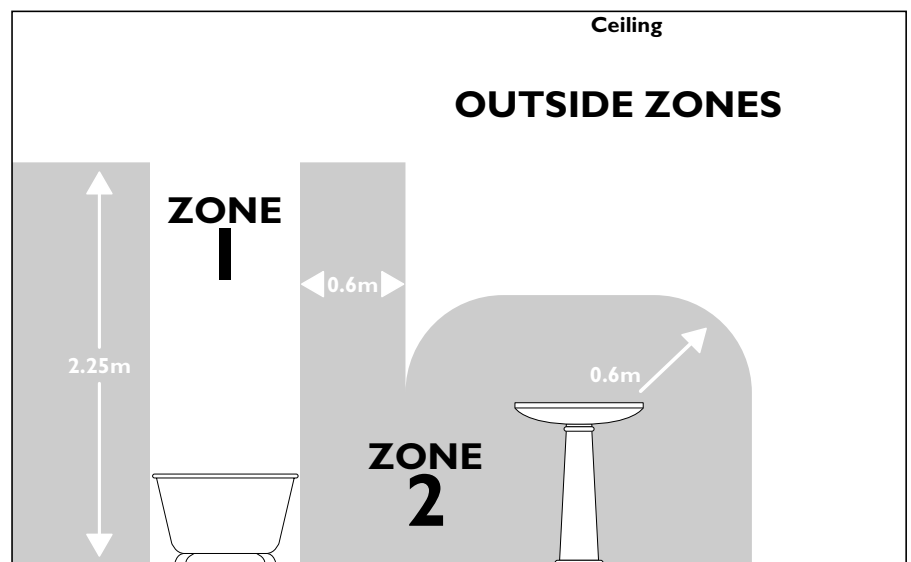
Fitting marked with this symbol are not suitable for mounting on flammable surfaces (e.g. polystyrene, ceiling tiles, and wood based materials).

Location:

This product has special protection against the ingress of moisture, and is rated as IP65.

This product is suitable for use in Zones 1, 2, and outside zones of a bathroom. See diagram.

The supply transformer must be located in the outside zones.



Layout:

- Plan the desired layout of these fittings carefully, ensuring the cables will reach the distances between the transformer, connector block (if used) and each light fitting.
- Ensure that there is adequate ventilation for the transformer.
- Avoid locating any cables in positions that would cause a hazard. Position cables and connector block away from areas where they may be at risk from being cut, trapped or damaged.
- Cables that are to be in walls must be protected using suitable conduit or plastic trunking.

Fixing Sizes:

DLF805: 68mm diameter cutout : 150mm ceiling void (minimum)

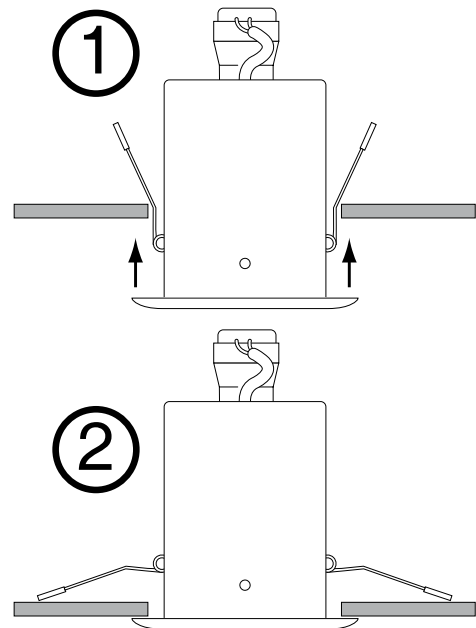
Installation:

1. Position the transformer next to the mains outlet that the system will connect to. Do not connect at this stage.
2. After deciding the layout of the light fittings ensure that the cables are long enough to connect to the desired positions.
3. Connect the wires from the luminaire into the transformer, ensuring correct polarity is observed.

Fitting:

Ensure free movement of air around the fitting by removing any roof void insulation from at least 100mm around the hole. Under no circumstances must these fittings be covered with insulating matting or similar material.

4. The ceiling surface must be flat and smooth to ensure a good fit.
5. Push the spring clips upwards and fit the two longer arms into the ceiling hole. See diagram 1.
6. Push the unit up until firmly in position, ensuring that the cable is not trapped. See diagram 2.

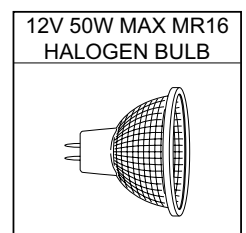


7. Connect the transformer to the mains supply. Replace fuse and switch on.

Fitting / Replacing Bulbs:

When changing a bulb, always switch off at the mains and allow the bulb to cool before handling. Dispose of used bulbs carefully. Use a soft cloth to handle bulbs, avoid directly touching the bulbs as this will shorten their life. Do not exceed the wattage stated or use a different shape bulb from that indicated on the fitting.

Rotate the front bezel off, and drop down, Lift the bulb and slide out of the clip. To replace the bulb, slide into the clip, ensuring it is sitting properly on the recess.

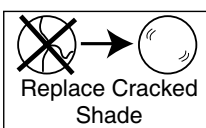


Care and Cleaning:

Finish - Clean with a soft dry cloth. Do not use abrasive materials as these will damage the finish.

Glass - Clean with a damp cloth. Do not use abrasive materials as these will damage the finish.

Safety Information:



The glass shade must be replaced immediately should the glass shade become cracked or damaged. This fitting must not be used without the glass shade in place.

For your safety, always switch off the supply before changing lightbulbs, cleaning or removing shades.



Saxby Lighting Ltd. NW10 7UL