

**10180, 10185,  
10186, DL3ISS**

Thank you for purchasing this light fitting. Please read the instructions carefully before use to ensure safe and satisfactory operation of this product. Please retain these instructions for future reference.

### Warning:

**III This unit is Safety Extra Low Voltage and must not be earthed.**

Please read these instructions carefully before commencing any work.

Install in accordance with IEE Wiring regulations and current Building Regulations.

This system operates at Safety Extra Low Voltage (12V), via a transformer. Never connect the light fittings directly to the mains without using a transformer.

Ensure that a correctly rated transformer is used.

Do not exceed the transformer load. Transformers may require a minimum load to operate.

Always unplug the transformer from the mains when installing or maintaining this system.

Only use the correct type and wattage bulb. Never exceed the wattage stated as this could overheat the ballast.

When changing a bulb, always switch off at the mains and allow the old bulb to cool down before handling.

Dispose of used bulbs carefully and responsibly.

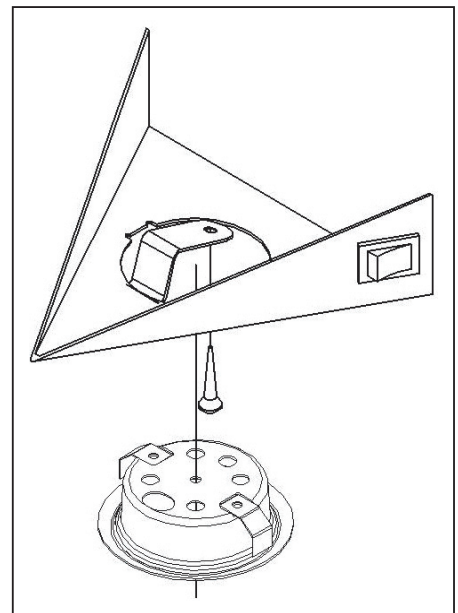
These products are not suitable for dimming.

### Layout:

- Plan the desired layout of these fittings carefully, ensuring the cables will reach the distances between the transformer, connector block (if used) and each light fitting.
- Ensure that there is adequate ventilation for the transformer.
- Avoid locating any cables in positions that would cause a hazard. Position cables and connector block away from areas where they may be at risk from being cut, trapped or damaged.
- Cables that are to be in walls must be protected using suitable conduit or plastic trunking.

### Installation:

1. Position the transformer next to the mains outlet that the system will connect to. Do not connect at this stage.
2. After deciding the layout of the light fittings, and the position of the connector block (if used), ensure that the cables are long enough to connect to the desired positions.
3. Remove the lamp assembly from the decorative cover and bracket as shown in the diagram. (Decorative cover may differ from that shown in the diagram).
4. Fit the luminaire in position by screwing through the bracket into the cabinet. The bracket may need adjusting, which can be done using hand pressure. Ensure that you do not trap any wires.
5. Drill a 6mm diameter hole and pass the wire through.
6. Push the lamp assembly back into position, ensuring that the grooves are located in the slots.



## Wiring:

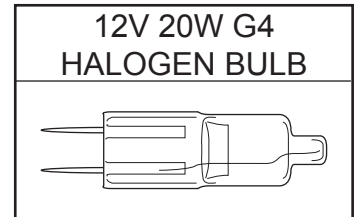
1. If using the AMP connector, push the pins into the white AMP connector. Push home until the pin has clicked.
2. Connect the wires from the luminaire into the transformer. If using the AMP plugs, plug into the connector block.
3. Connector the transformer to the mains supply. Replace fuse and switch on.

## Fitting Shade:

Remove the shade by carefully levering around the edges with a small screwdriver. Refit the shade by locating the tangs into the slot around the edge, and carefully pushing home. Take care not to damage the glass shade when performing this operation. For I0131, remove the four thumbscrews at each corner.

## Fitting / Replacing Bulbs:

When changing a bulb, always switch off at the mains and allow the bulb to cool before handling. Dispose of used bulbs carefully. Use a soft cloth to handle bulbs, avoid directly touching the bulbs as this will shorten their life. Do not exceed the wattage stated or use a different shape bulb from that indicated on the fitting.



## Care and Cleaning:

Finish - Clean with a soft dry cloth. Do not use abrasive materials as these will damage the finish.  
Glass - Clean with a damp cloth. Do not use abrasive materials as these will damage the finish.

## Safety Information:

For your safety, always switch off the supply before changing lightbulbs, cleaning or removing shades.



Saxby Lighting Ltd. Belvue House, Belvue Road, Northolt, Middlesex UB5 5QQ