

Thank you for purchasing this light fitting. Please read the instructions carefully before use to ensure safe and satisfactory operation of this product. Please retain these instructions for future reference.

Warning:

This is a Class I product and must be earthed.

Please read these instructions carefully before commencing any work.

This unit must be fitted by a competent and qualified electrician.

Install in accordance with IEE Wiring regulations and current Building Regulations.

To prevent electrocution switch off at mains supply before installing or maintaining this fitting. Ensure other persons cannot restore the electrical supply without your knowledge.

This light fitting should be connected to a fused circuit.

If replacing an existing fitting, make a careful note of the connections.

Always use the correct type and wattage bulb.

When changing a bulb, always switch off at the mains and allow the old bulb to cool down before handling.

Dispose of used bulbs carefully and responsibly.

This product can be dimmed using a compatible dimmer and transformer.

Waste electrical products should not be disposed of with household waste. Please recycle where facilities exist.

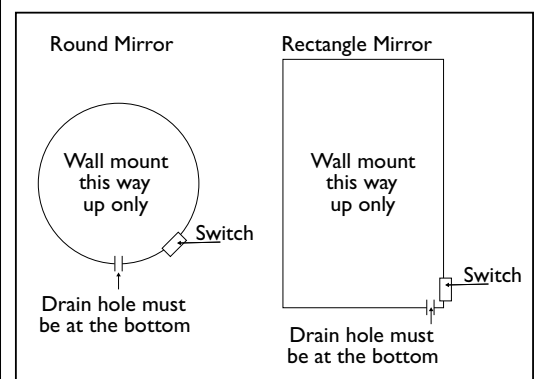
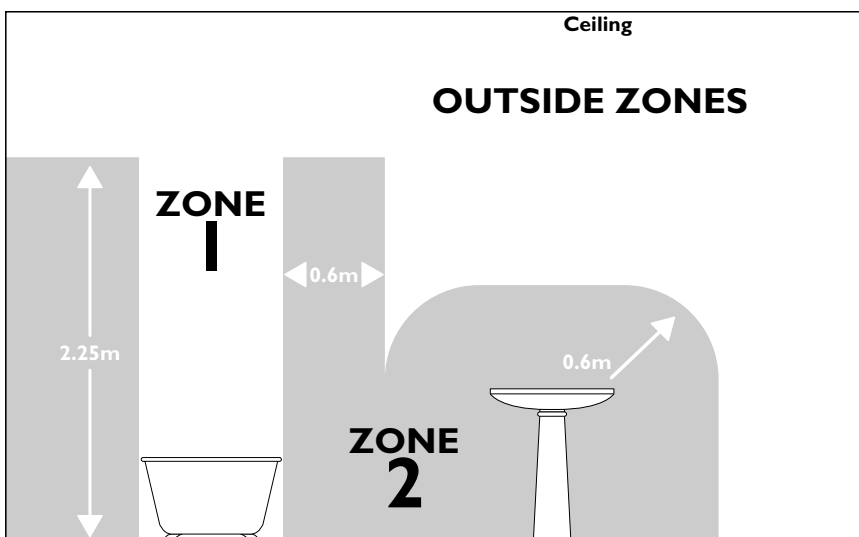
Check with your local authority or retailer for recycling advice.

Installation:

Existing fittings must be completely removed before installation of a new product. Before removing the existing fitting or ceiling rose, **carefully note the position of each set of wires.** Where a ring/loop circuit exists there will be a fourth set of wires (usually red) that are not connected to the L, N, or E. of the fitting. This circuit must be kept together in the 4th terminal of the connection block, and insulated from the fitting and the other wires. **The ring/loop will remain live unless isolated at the mains or circuit breaker regardless of the position of the wall switch.**

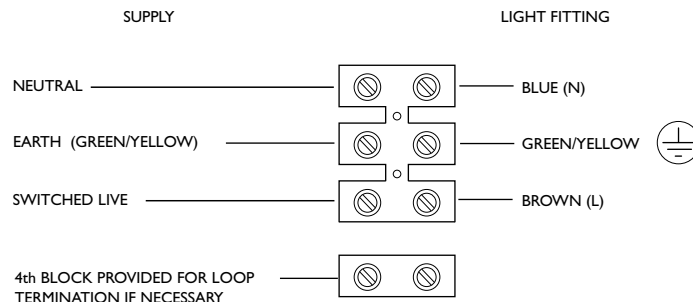
This product has special protection against the ingress of moisture and is manufactured to meet IP44 standards. This product is suitable for use in Zone 2 and outside Zones of a bathroom. See diagram.

1. Remove the wall back from the product by removing the side fix screws and rubber washers.
2. Carefully pierce a small hole in the rubber grommet in the centre of the wall back to allow the cable to pass through.
3. Thread the cable through the grommet and fix the wall back to the wall using the screws and wall plugs supplied. Ensure the drain hole is at the base of the wall back, and that the correct orientation is followed. Take care not to trap or damage any concealed wiring.



Wiring:

Having correctly identified the wiring from your existing light fitting, pull the wire through the hole at the rear of the fixture connect to the connection block inside the product in the following way:

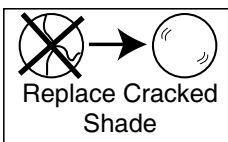


Check that.....

- You have correctly identified the wires.
- The connections are tight.
- No loose strands have been left out of the connection block.

Fitting Mirror:

Ensure that the rubber sealing is in place. Fit the mirror over the wall back. Refit the rubber washers and side screws. Ensure that it is fitted correctly to stop the ingress of moisture.

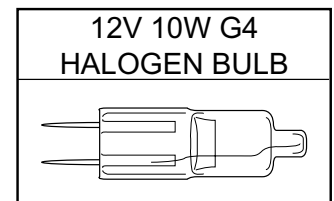


The mirror must be replaced immediately should the glass shield become cracked or damaged. This fitting must not be used without the glass shield in place.

Replace fuse or circuit breaker and switch on. Your light is now ready for use.

Fitting / Replacing Bulbs:

When changing a bulb, always switch off at the mains and allow the bulb to cool before handling. Dispose of used bulbs carefully. Bulb replacement must be as stated wattage, as indicated on the fitting.



Care and Cleaning:

Finish - Clean with a soft dry cloth. Do not use abrasive materials as these will damage the finish.
Mirror - Clean with a damp cloth. Do not use abrasive materials as these will damage the finish.

Safety Information:

For your safety, always switch off the supply before changing lightbulbs, cleaning or removing shades.



Saxby Lighting Ltd. NW10 7UL